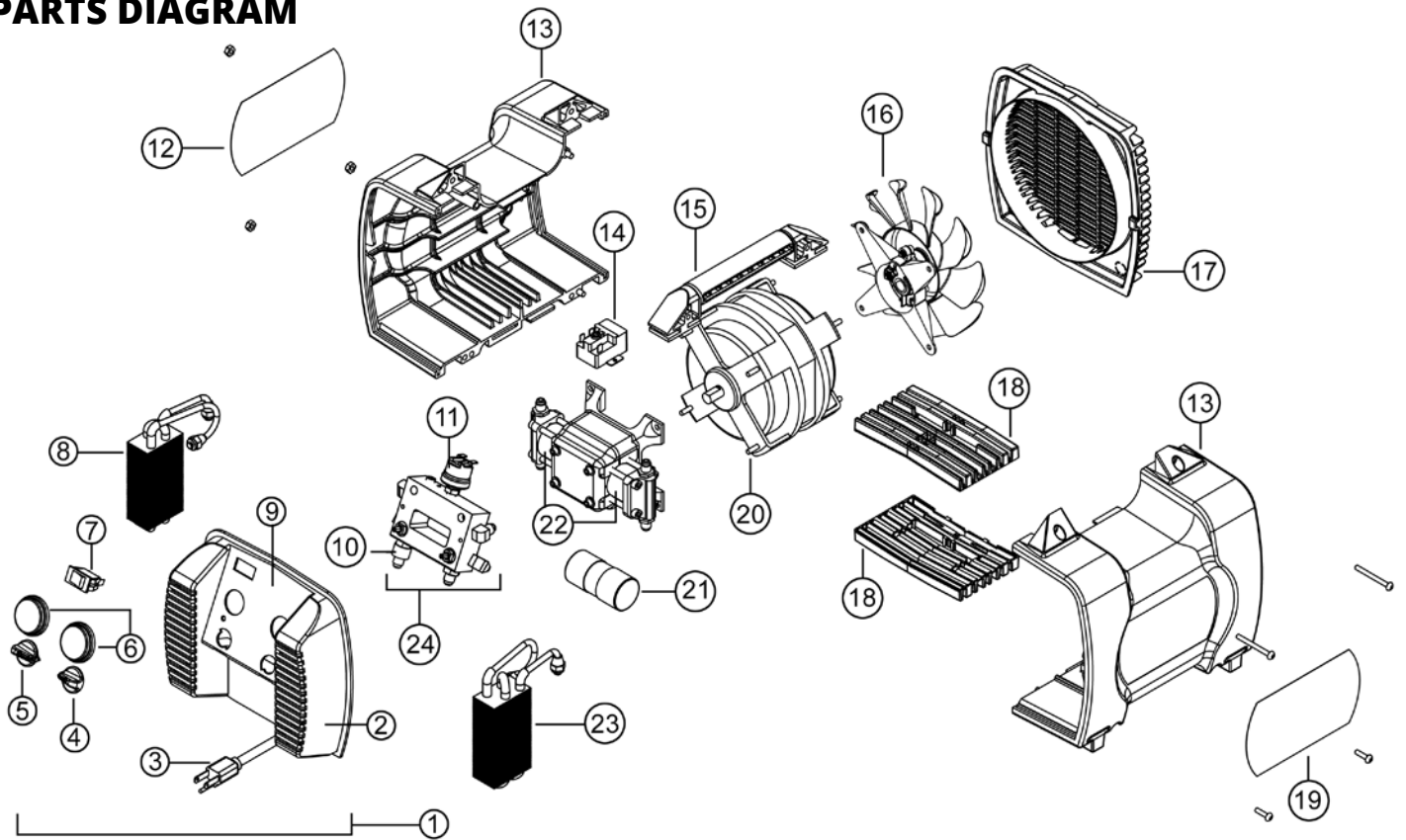


# Machine Specifications

## PARTS DIAGRAM



#	PART NO.	DESCRIPTION
1	AY0050	Front Panel Assembly
2	PL7601S	Front Panel Only w/Labels
3	WR9000	Power Cord - 115v US
3	WR9230	Power Cord - 230v EU
4	PL7011	Output Knob - Red
5	PL7010	Input Knob - Blue
6	KTGA00	0-700 PSI Gauge (2-Pack)
6	KTGA61	PSI & Kg/cm <sup>2</sup> Gauge (2-Pack)
7	EL5120	Power Switch
8	CT1760L	Left Side Condenser
9	LB1235	Front Panel Label (Top)
10	KTF612	Inlet Filter Fitting
11	EL5030	High Pressure Switch
12	LB1205	G5Twin Side Label
13	AY0221	Case Side Panel (each)

#	PART NO.	DESCRIPTION
14	EL5017	Motor Start Relay - 115v
14	EL5027	Motor Start Relay - 230v
15	PL7000	Case Handle
16	AY0036	Fan Gearbox Assembly w/ Blade
17	PL7602	Case Back Panel
18	PL7625	Motor Support Bracket (each)
19	LB1201	G5Twin Warning Label - 115v
19	LB1262	G5Twin Warning Label - 230v
20	EL5000	Motor - 115v
20	EL5230	Motor - 230v
21	EL5028	Motor Start Capacitor - 115v
21	EL5034	Motor Start Capacitor - 230v
22*	CA1603	Cylinder (each)
23	CT1760R	Right Side Condenser
24	AY0020	Manifold Assembly

\* Note: Contact Apption for compressor ordering info - See Page 20 for repair kits

Apption reserves the right to make changes to product and specifications without notice.