

These instructions describe how to install the NOx Filter onto the Probe and Hose Assembly of the INSIGHT® Combustion Gas Analyzer. The NOx Filter is designed for applications that involve concentrations of cross-sensitive acid gases, including NO, NO₂ and SO₂, that could affect the CO measurement.

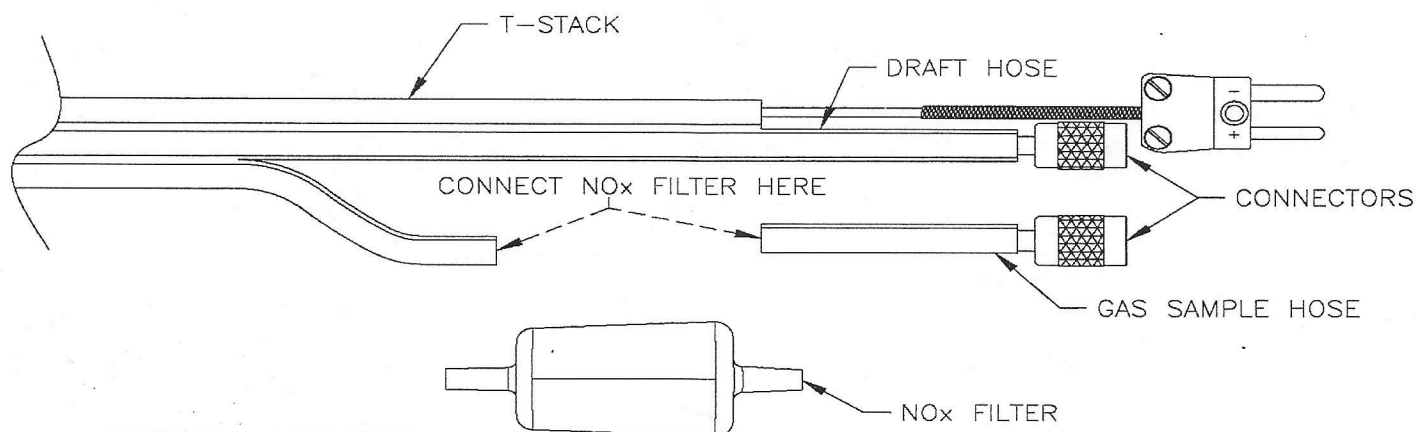
ITEMS REQUIRED

- Probe and Hose Assembly
- Replacement NOx Filter (P/N 0024-1505)
- Scissors

PROCEDURE:

Insert the NOx Filter in-line with the sampling system to remove acid gases as follows:

1. Locate the Gas Sample Hose and, using the scissors, cut along the webbing connecting it to the draft hose about five (5) inches. Be sure to only cut the webbing and not the Gas Sample Hose or Draft Hose.
2. About two (2) inches from the metal connector on the Gas Sample Hose, cut the hose and place the two (2) inch piece (with metal connector) aside. Make another cut about one-and-a-half (1.5) inches from the previous cut and discard the one-and-a-half (1.5) inch section of hose.
3. Insert one end of the NOx Filter into the Gas Sample Hose still connected to the Draft Hose. The tubing should be pushed about halfway onto the NOx Filter barb. The NOx filter is not direction dependent.
4. Take the two (2) inch section of hose and insert it onto the other end of the NOx Filter.
5. Make adjustments to the length of the two (2) inch piece of the Gas Sample Hose so the Gas Sample Hose and Draft Hose are the same length.



ADDITIONAL COMMENTS:

1. Filter life is dependent on application, with a capacity of approximately 3000ppm•HR. When new, the filter material is purple and will change to dark brown as the filter loses its capacity to remove acid gas.
2. A Barb Hose Connector is included in the NOx Filter Kit to reconnect the Gas Sample Hose when the NOx filter is not in use.

REPLACEMENT PARTS:

1. Replacement Filter (P/N 0024-1505)
2. Replacement Hose and Fitting (P/N 0024-1506)

World Headquarters 621 Hunt Valley Circle, New Kensington PA 15068-7074
PHONE: 724-334-5000 FAX: 724-334-5001 WEBSITE: www.MyBacharach.com E-MAIL: help@MyBacharach.com