

DATA SHEET

Si-T13

Infrared thermometer



Optical: D.S 12:1



Adjustable emissivity



Backlit LCD screen



Carrying bag



Si-HVACR Measurement MobileApp



Technical specifications

Parameters	Measuring units	Accuracy*	Measuring range	Resolution
Infrared temperature	°C / °F	±(2% of value +2°C) ±(-2% of value +4.3°F) from -40 to 32°F ±(2% of value +3°F) from 32 to 932°F	from -40 to +500°C from -40 to 932°F	0.1°C 0.1°F
Ambient temperature**	°C / °F	-	from 0 to 50°C from 32 to 122°F	0.1°C 0.1°F

This infrared thermometer mainly fits for measurements at short or medium distances.

*All the accuracies indicated in this technical datasheet were stated in laboratory conditions, and can be guaranteed for measurements carried out in the same conditions.

**Only available on the app

Google Play and the Google Play logo are trademarks of Google LLC.

App Store is a service mark of Apple Inc.

General features

Emissivity	Adjustable from 0.10 to 1.0 (pre-set at 0.95)
Response time T_{90}	1 second
Optical	D.S 12 : 1
Laser sighting	1 point
Display	Integrated 3-line monochrome display with backlight
Housing	ABS-PC
Keypad	1 Mode button, 1 Unit button, 1 Lock button and 1 Measurement button
Standards & Directives	2011/65/EU RoHS II; 2012/19/EU WEEE; 2014/53/EU RED
Power supply	2 alkaline batteries LR03 AAA 1.5 V
Battery life	14 hours* (without backlight)
Wireless communication	Range frequency from 2402 MHz to 2480 MHz with a transmit power of 0 dBm. Range up to 15 m (98 ft), depending on smartphone radio strength. Minimum required versions: Android 5.0, iOS 12.4, BLE 4.0
Ambiance	Air and neutral gas
Operating conditions	From 0 to 50°C (32 to 122°F). In non condensing conditions. Altitude: from 0 to 2000 m (6561').
Storage temperature	From -10 to +60°C (14 to 140°F)
Auto shut-off	15 seconds
Weight (with batteries)	145 g (5.1 oz)

*Battery life given at 20°C (68°F) with alkaline batteries

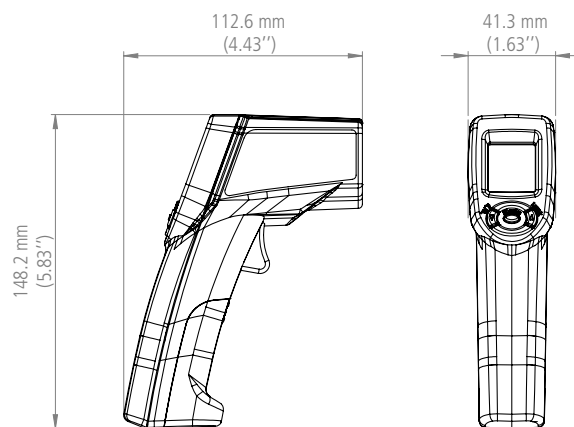
Si-HVACR Measurement MobileApp

The Si-HVACR Measurement MobileApp allows to view and record measurements in real-time.

Main features:

- Easily view different parameters
- Browse saved measurements history and data graphs (average, min & max values, etc.)
- Create reports (PDF, CSV, or XML) and add up to four (4) photos

Dimensions



Kit content

- Certificate of conformity
- Quick Start Guide
- 2 alkaline batteries LR03 AAA 1.5 V
- Carrying bag